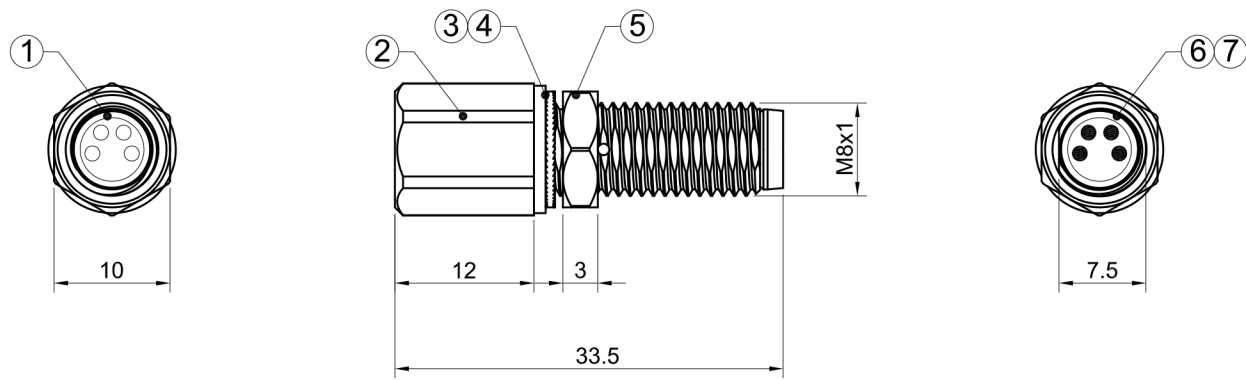


Revisions			
Rev.	Description	ECN No.	Date



Part No.	6208-969-403	6208-969-404	6208-969-405
Pin Number	3 Pole	4 Pole	4 Pole
Front View (Female)			
Rated Voltage	60V	30V	30V
Rated Current	3A		1.5A
Pollution Degree	3		
Degree of Protection	IP67		
Temperature Range	-20°C ~ +85°C		
Contact Resistance	≤5 mΩ		
Insulation Resistance	≥100 MΩ		

7		Contacts,CuZn gold plated 针子, 黄铜镀金	PCS	x
6		M8 Male Connector M8 4芯公连接器	PCS	1
5		Hex nut, CuZn nickel plated 六角螺母, 黄铜镀镍	PCS	1
4		Lock washer 防松垫圈	PCS	1
3		Rubber washer 橡胶垫片	PCS	1
2		Base shell, CuZn nickel plated 外壳, 黄铜镀镍	PCS	1
1		M8 Female Connector M8 4芯母连接器	PCS	1

No./ 序号	Part No./ 料号	Specification / 规格			Unit / 单位	Q'ty / 数量	
 THIRD ANGLE GENERAL TOLERANCE (UNLESS SPECIFIED) ISO2768-mK	NAME		DATE	MATERIAL:	VOLUME:	MASS: 9.08g	
	DRAWN	H.S.Y	2025/5/7				
	CHECKED	Jason.Z	2025/5/7	TITLE M8 Male-Female Adapter M8 4芯公-母转接器			
RELEASE				PART NO. MT-004		DWG NO. ED-681-011	
		 <small>Mail: info@weiners.de Telefon: +49 7403 6087 0</small>		UNIT MM	REV. A	SIZE A4	SHEET 1 OF 1